



SPECIFICATIONS

SPECIFICATIONS

Voltage: Universal - 115/208/230VAC 50/60Hz

Wattage: 1450 watts

Amps: 12.6 @ 115VAC, 6.3A @ 230VAC

Motor: 1800 RPM brushless external rotor

Volume of Air: 150 CFM

Discharged air temperature: 136°F / 58°C at ambient temperature 68°F / 20°C

Sensor: Solid state infra-red, self-calibrating

Circuit breaker: Bi-metallic temperature limiting circuit breaker, auto-resetting

Net Weight: 20 lbs. (9kg)

Dimensions: 13-3/4" H X 10-3/8" W X 4" D / 349mm H X 263mm W X 100mm D

(Conforms to ADA)

Warranty: 10 years entire dryer

Cover material: Cast zinc and steel

Cover attachment: Tamper-proof screws

Available cover finishes:

White porcelain enamel C-100000000

Black porcelain enamel C-100000002

Brushed stainless steel C-100220004

FEATURES

Universal voltage – Auto-sensing circuit instantly adjusts to 115, 208 or 230 volts

High performance – 150 CFM output for quick drying

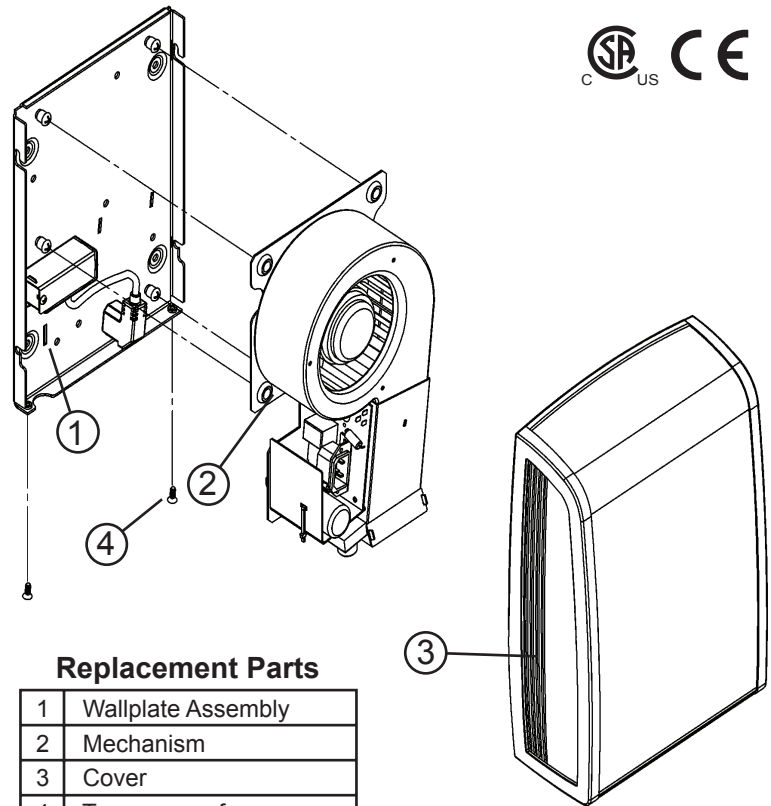
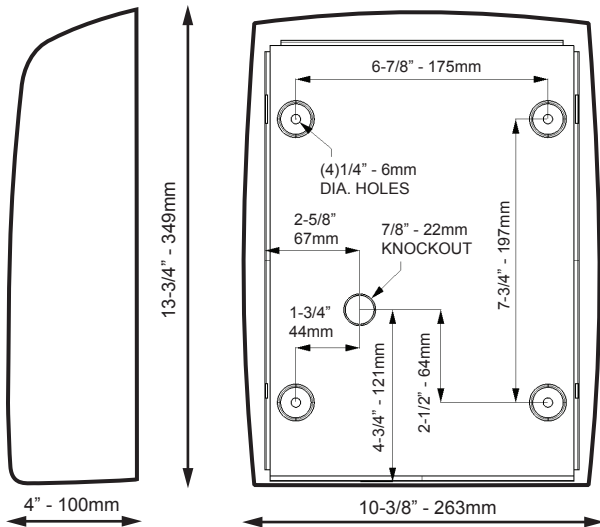
Ultra-quiet – Less than 67 dB

Durable – Top-quality materials and few wear parts

Intelligent – Exclusive self-calibrating infra-red sensor continuously monitors and adjusts to compensate for changes in ambient light conditions

Low Total Cost of Ownership – 10-year warranty and modular 'power pack' mechanism that can be replaced in minutes without special tools

Beautiful – Elegant, low profile design available in a variety of finishes to integrate with every décor



Replacement Parts

1	Wallplate Assembly
2	Mechanism
3	Cover
4	Tamper-proof screw
	Tamper-proof key

Distance from bottom edge of dryer to floor:

Men	47 in	119 cm
Women	44 in	112 cm
Children 8-10 years	35 in	89 cm
Children 11-13 years	38 in	97cm
Children 14-16 years	44 in	112 cm
Disabled	36 in	91 cm



Corporate Headquarters
www.comaccorporation.com

9005 du Quartier, Unit B, Brossard, Qc, Canada J4Y 0A8

Customer Service

Tel: 450-659-9899 • 800-409-4583 • Fax: 450-659-3412 • 855-855-5305