

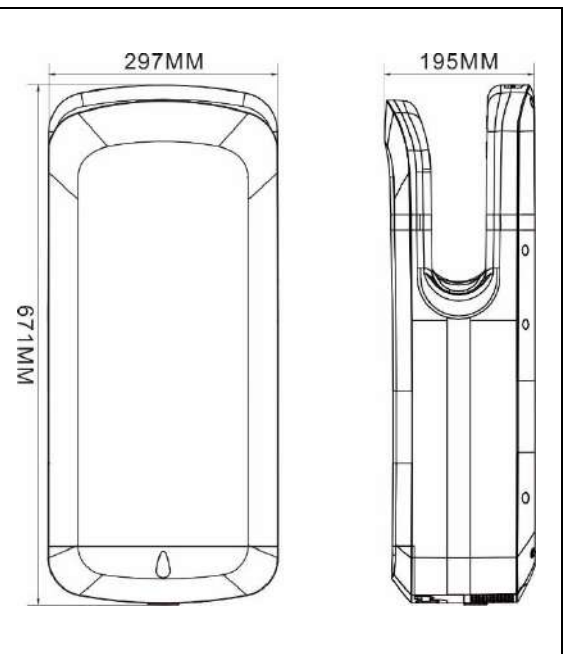
DUAL FLOW de COMAC



COMAC DUAL FLOW: AVANTAGES PRODUIT ET SPÉCIFICITÉS

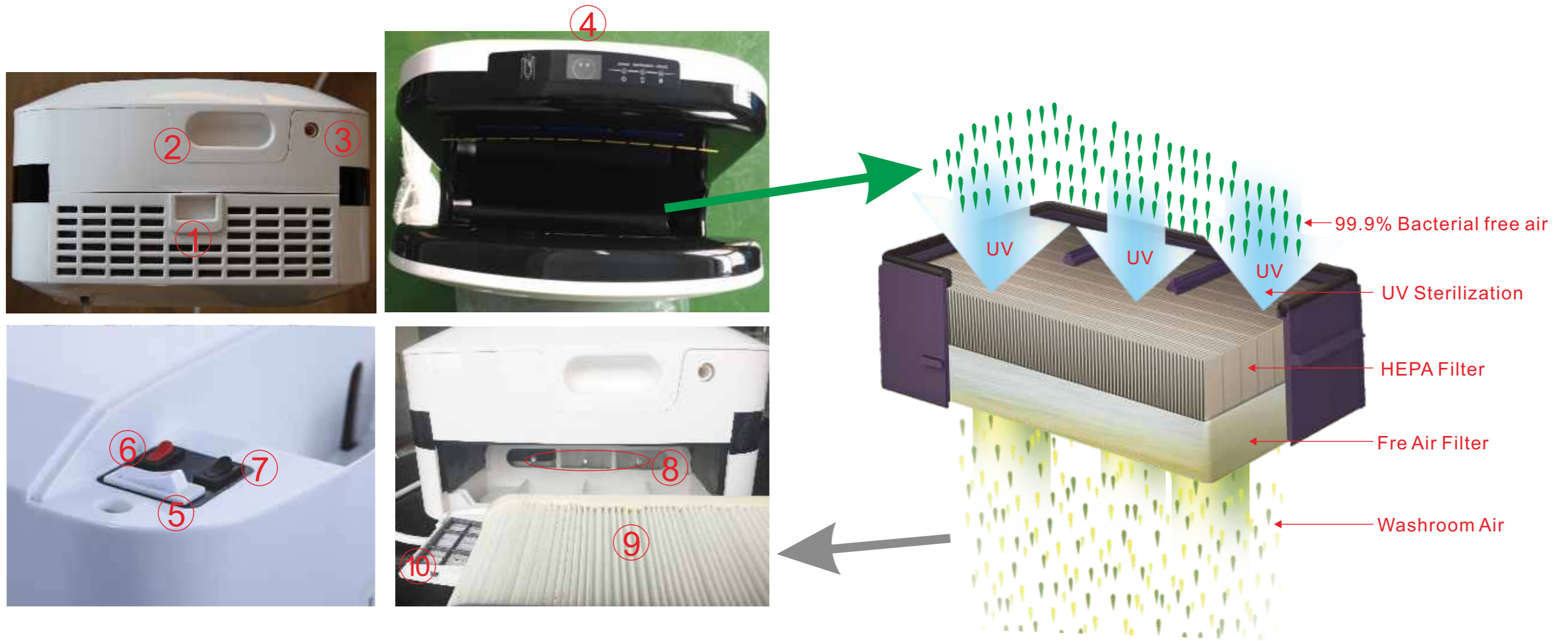
- Design mince avec séchage rapide, économique et ultra hygiénique.
- Utilise un moteur super efficace pour créer un souffle capable de pousser l'eau de la surface des mains.
- Seche les mains en 7 secondes grace son Jet-Air super puissant a moteur a vitesse variable
- Capteur de mouvements infrarouge a 3-points.
- Moteur puissant sans-brosse et filtre HEPA pour une sortie d'air épuré.
- Indicateur DEL a luminosité augmentée.
- Minuterie de protection a 25 secondes continues .
- Air-Pur par stérilisation aux UV pour éliminer les bactérie et permettre une durée de vie de 24 mois du filtre HEPA.
- Maintenance facile, nettoyage extérieur une fois par jour seulement.
- Jusqu'a 90% d'économie par rapport aux serviettes en papier.
- Chauffeferette intelligente active seulement a température ambiante en dessous 25 degrés
- Produit écologique: technologie propre et economies d'energie garanties.

Voltage	220V-240V 50/60Hz ou 110V-120V 60Hz
Consommation	1850W(Chaufferette ON)/750W(Chaufferette OFF)
En Attente	<2W
Air Température	40°C(Pièce Température=25°C)
Air Vitesse	100M/S
Air Flux	158M ³ /H
Temps Séchage	7-10 Secondes
Minuterie Sécurité	25 Secondes
Operation	Capteur infrarouge sans toucher
Protection Niveau	IPX1
Isolation Electrique	CLASS 1
Niveau Bruit	65dB(At 1M)
Stérilisation	HEPA Filtre+UV+Pre-Filtre
Drain Reservoir	500ml
Matériel	Plastique ABS incassable anti-choc
Moteur	Moteur sans brosse ou a brosse: 22000RMP
Unité Poids Net	7.5kg/Brosse Moteur; 9.3kg/Sans Brosse Moteur
Unité Poids Brut	9.2kg/Brosse Moteur; 11.8kg/Sans Brosse Moteur

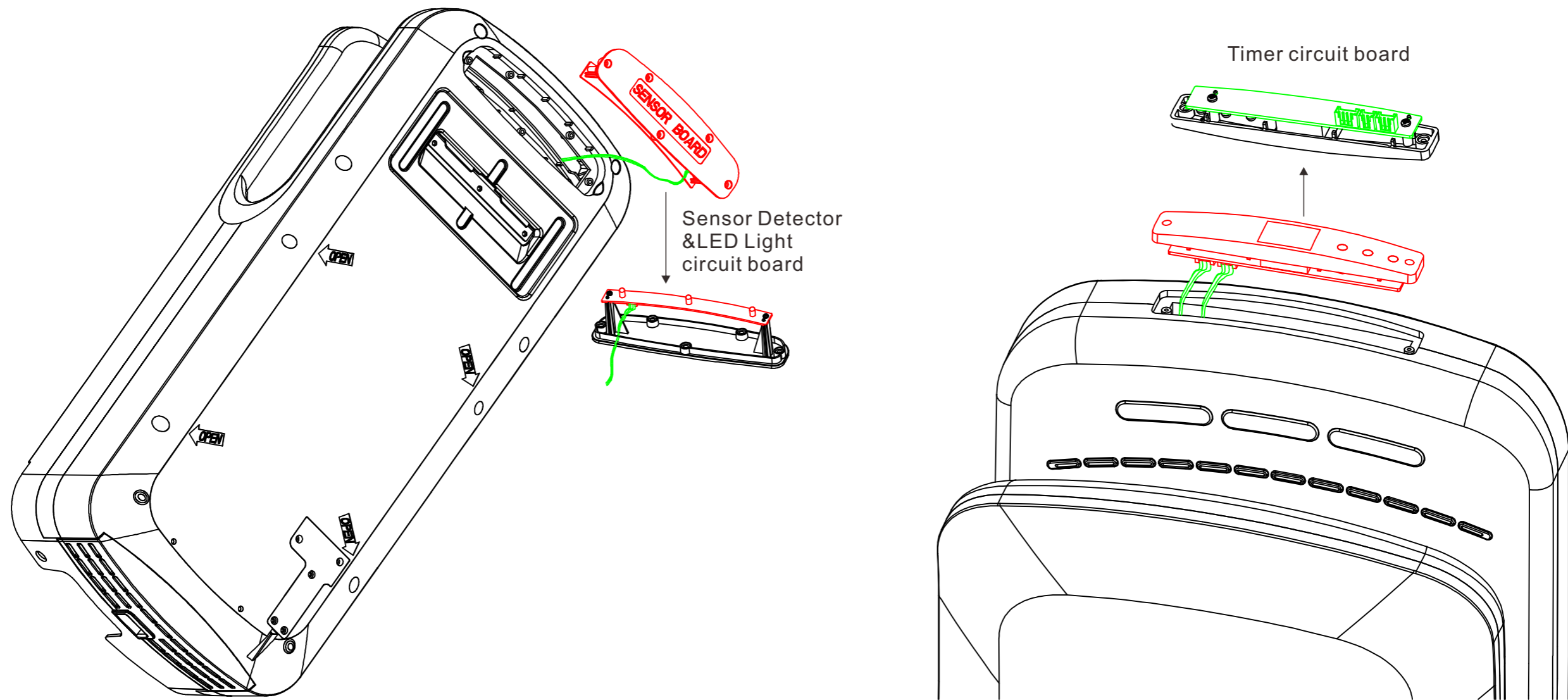


DUAL FLOW	C-500220000		Brushed	828235092227
	C-500230000		Champagne	828235093228
	C-500000000		White	828235094229





- ① Press back & down to open pre air filter and HEPA.
- ② Pull front to open water tray.
- ③ Water overflow hole: Available to connect one pipe to floor drain directly. No need to empty tray everyday !
- ④ Welcome Smiling Face Timer.
- ⑤ Hand Dryer Power ON/OFF switch: The hand dryer can be powered off if needed.
- ⑥ Air Hot/Cold Switch: In hot weather such Summer, the heat element can be powered off to save energy.
- ⑦ Speed High/Low Switch: Set at Low position get low noise at some sensitive place.
- ⑧ UV sterilization: 3Points UV light setting to have 360° kill the bacterial in air even filtered by HEPA.
- ⑨ HEPA filter: 99.9% bacterial filtered to have pure clean air.
- ⑩ Pre filter: Filter that of a little big particulate in the air.



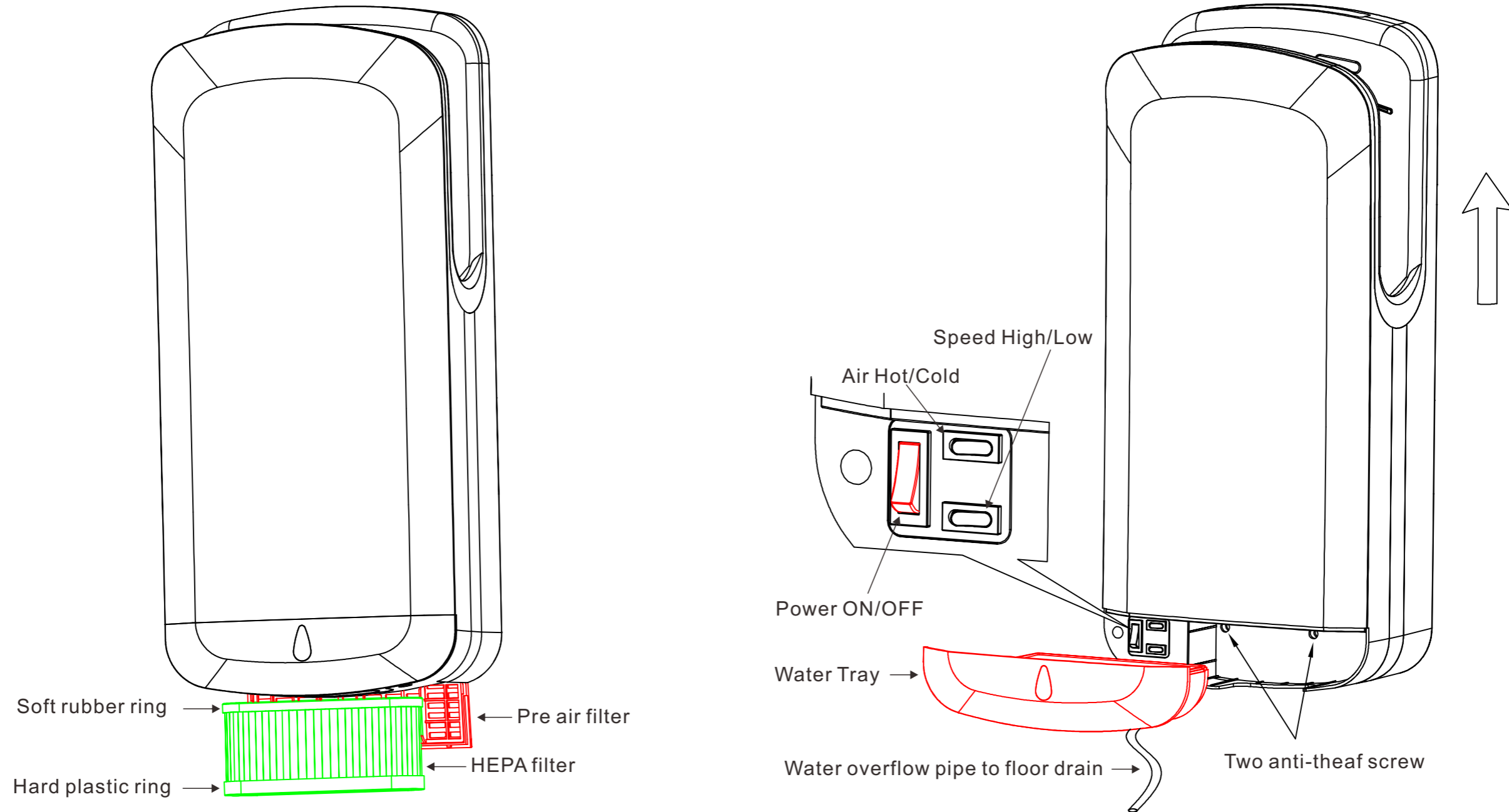
Replace Sensor Detector&LED Light Circuit Board:

1. Loose two screw on the sensor detector&LED light circuit board holder. Use a screwdriver to pull the cover a little to open it.
2. Take cover out lightly and the circuit board will come together ! Be careful there is wire connected on the circuit board.
3. Loose two screw on circuit board and replace a new one.

Replace Timer Circuit Board:

1. Move the sticker away. Be careful not damage the hand dryer edge where will affect the surface looking.
2. Loose two screw on the timer circuit board holder. Use a screwdriver to pull the holder a little to open it.
3. Take holder out lightly and the circuit board will come together ! Be careful there is wire connected on the circuit board.
4. Loose two screw on circuit board and replace a new one.
5. After replace the new circuit board right, it is suggested to use a new sticker for good looking.

⚠ WARNING: Disconnect power at the service breaker or unplug the hand dryer before any servicing & maintenance !



Replace HEPA filter:

1. Press back then down to open pre air filter. Take the HEPA filter out. When replace a new HEPA, be sure that the HEPA's rubber ring at upside.

Replace water tray and uninstall hand dryer from wall:

1. If there is a water overflow pipe connected, please move it.

2. Pull front to take the water tray out. Then loose two anti-theft screw <Only the HEAP is moved when refix these two screw>.

3. First pull up then pull front to take hand dryer from wall. Take it careful which weighs 11KG.

5. After reinstallation, before replace water tray, there is an option to run the dryer heater On or OFF and air speed High or Low. The switch is clearly marked.









